

SPECIFICATION

- ▼ Manufactured in high grade Nylon
- ▼ Press fitted Metal inserts

FEATURES & BENEFITS

- ▼ Simple installation
- ▼ Protects and Supports cable and hose

OPERATIONAL REQUIREMENTS

- ▼ Cable handler must be attached to the power loader at the male end (H).
- ▼ The internal trough width should always be 1" (25mm) wider than that of the chain.
- ▼ Recommended trough depth 10" (250mm) with minimum trough depth 8" (200mm).
- ▼ Towing bracket gives good lateral flexibility and double sided towing.
- ▼ Internal trough design to be free from obstructions for best performance.
- ▼ The mid-point arrangement to be flexible where the power loader does not cut to a fixed stop.
- ▼ With a suitable pushback arrangement and satisfactory troughs, the chain may be used in 33¹/₂" (850mm) seam.



Victor

VICTOR PRODUCTS USA Inc.

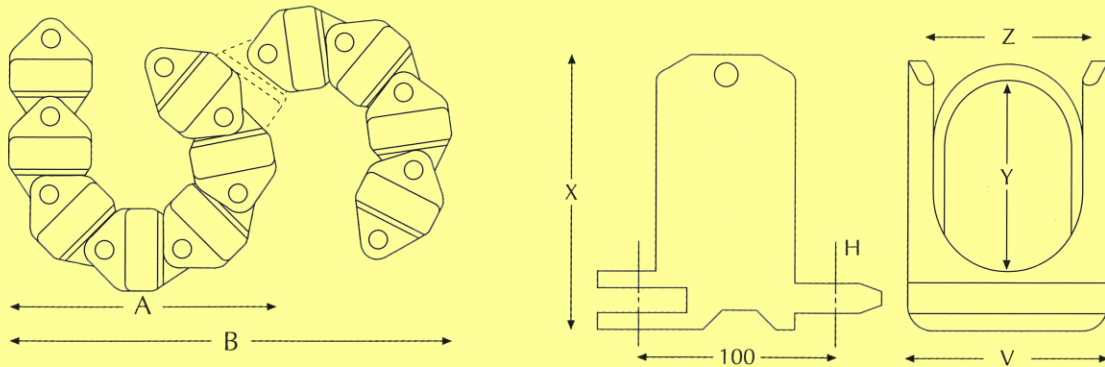
700 Thomson Park Drive, Suite 717, Cranberry Township, PA 16066, USA

Tel: 724 776 4900 Fax: 724 776 3855

E-mail: sales@victorproductsusa.com Web: www.victorproductsusa.com

A Federal  Signal Company

DIMENSIONS



Dimensions in mm (unless otherwise stated)

Type of Chain	Single Loop A		Double Loop B		External Height V		External Width X		Internal Width Y		Internal Height Z	
	mm	ins	mm	ins	mm	ins	mm	ins	mm	ins	mm	ins
A	419	16 ¹ / ₂	714	28 ¹ / ₈	115	4 ¹ / ₂	149	5 ⁷ / ₈	114	4 ¹ / ₂	76	3
B	419	16 ¹ / ₂	714	28 ¹ / ₈	115	4 ¹ / ₂	164	6 ⁷ / ₁₆	132	5 ³ / ₁₆	76	3
C	419	16 ¹ / ₂	714	28 ¹ / ₈	115	4 ¹ / ₂	184	7 ¹ / ₄	149	5 ⁷ / ₈	76	3

TYPICAL ORDERING DETAILS

ORDERING REFERENCE	DESCRIPTION
CABLE HANDLER CHAIN TYPE A	
MC 002980A	5'0" 15 Link Complete Assembly
MC 002981A	Single Link
MC 002982A	Cable Retaining Hoop
MC 002983	Socket Head Screw for Link
MC 002984	Retaining Wire
CABLE HANDLER CHAIN TYPE B	
MC 002980B	5'0" Complete Assembly
MC 002981B	Single Link
MC 002982B	Cable Retaining Hoop
CABLE HANDLER CHAIN TYPE C	
MC 002980C	5'0" Complete Assembly
MC 002981C	Single Link
MC 002982C	Cable Retaining Hoop

Contact sales for alternative cable hoop sizes



Victor

VICTOR PRODUCTS USA Inc.

700 Thomson Park Drive, Suite 717, Cranberry Township, PA 16066, USA

Tel: 724 776 4900 Fax: 724 776 3855

E-mail: sales@victorproductsusa.com Web: www.victorproductsusa.com

A Federal Signal Company